

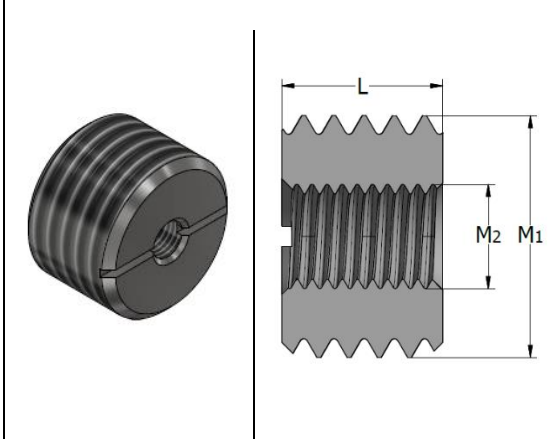
COMMERCIAL DOCUMENTATION



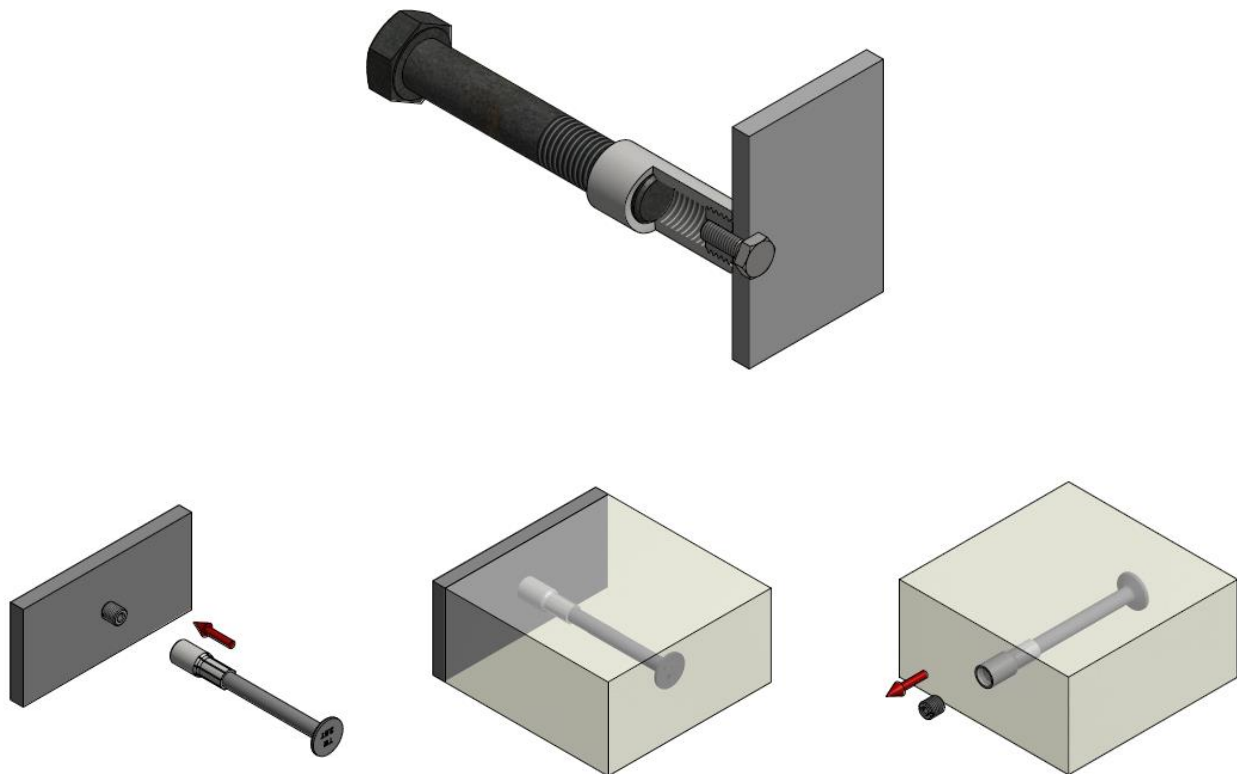
1D-HD - LIFTING SYSTEMS | **SN** **DOUBLE METRIC MOUNTING PLUG**



DOUBLE METRIC MOUNTING PLUG–SN

	SN	Product no.	Thread	Thread	L
			M1	M2	[mm]
	SN M12-M6	45214	12	6	16
	SN M16-M8	45215	16	8	16
	SN M20-M8	45216	20	8	16
	SN M24-M8	46303	24	8	16
	SN M24-M10	45217	24	10	16
	SN M30-M10	45218	30	10	16
	SN M30-M8	46079	30	8	16
	SN M36-M10	45219	36	10	25
	SN M42-M10	45220	42	10	30
	SN M48-M10	45464	48	10	36
	SN M48-M12	46525	48	12	36
	SN M48-M16	46524	48	16	36

The double metric mounting plug SN is used for fixing the anchors or the lifting sockets to the formwork with a screw.



CONTACT



TERWA is the global supplier for precast and construction solutions with multiple offices around the world. With all our staff, partners and agents, we are happy to provide all construction and precast companies who work in the building industry with full service and 100% support.

TERWA CONSTRUCTION GROUP

Terwa Construction Netherlands (HQ)

Global Sales & Distribution
Kamerlingh Onneslaan 1-3
3401 MZ IJsselstein
The Netherlands
T +31-(0)30 699 13 29
F +31-(0)30 220 10 77
E info@terwa.com

Terwa Construction Central East Europe

Sales & Distribution
Strada Sânzieni
507075 Ghimbav
Romania
T +40 372 611 576
E info@terwa.com

Terwa Construction Poland

Sales & Distribution
Ul. Cicha 5 lok. 4
00-353 Warszawa
Poland
E info@terwa.com

Terwa Construction India & Middle East

Sales & Distribution
India
T +91 89 687 000 41
E info@terwa.com

Terwa Construction China

Sales & distribution
5F 504, No. 101 Chuanchang road
PRC, 200032, Shanghai
China
E info@terwa.com

ALL SPECIFICATIONS CAN BE CHANGED WITHOUT PREVIOUS NOTICE.

DISCLAIMER

Terwa B.V. is not liable for deviations due to wear of the products it has delivered. Neither is Terwa B.V. liable for damage due to inaccurate and/or improper handling and use of the products it has delivered and/or use of same for purposes other than those intended.

Terwa B.V.'s responsibility is furthermore limited in accordance with article 13 of the "Metaalunie" conditions, which are applicable for all Terwa B.V. deliveries. The user is responsible for ensuring compliance with all applicable copyright laws. Without limiting the rights under copyright, no part of this documentation may be reproduced, stored in or introduced into a retrieval system, or transmitted in any form or by any means (electronic, mechanical, photocopying, recording, or otherwise), or for any purpose, without the express written permission of Terwa B.V.